

LED Lighting Solutions

The future of illumination



LED-8-A0601

Energy Efficient Indoor Commercial Lighting.

FEATURES

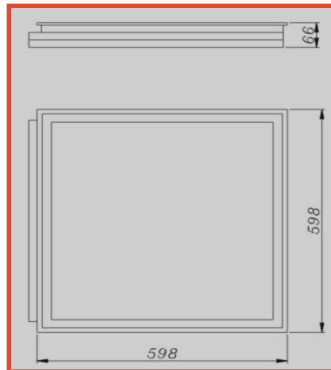
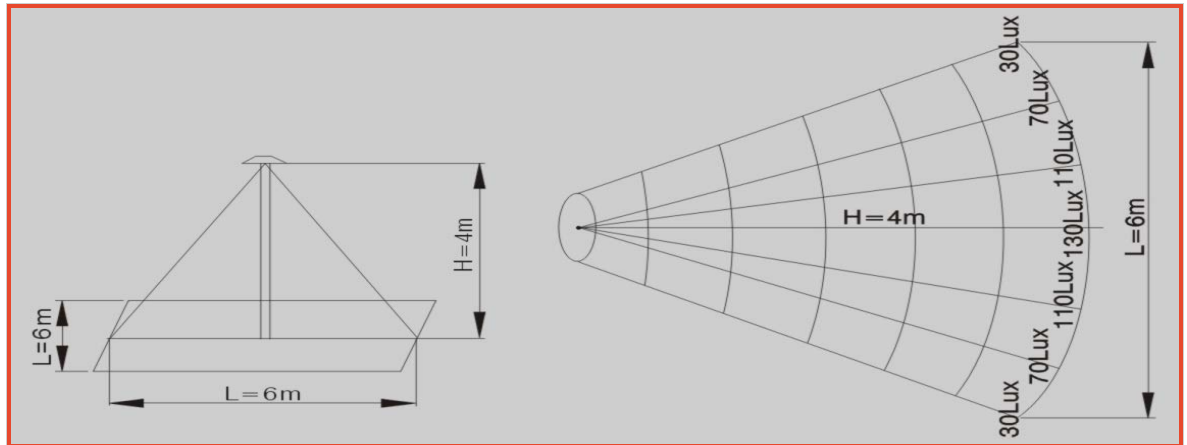
- Fixture is made of heavy duty steel
- Optimized and highly penetrating transparent film
- Electrostatic painting enhances environment resistance and aging process.
- High efficient LED allows for maximum light output while reducing energy consumption.
- Environmentally friendly
- Long lifespan

APPLICATIONS

- Offices
- Exhibition Halls
- Grocery Stores
- Warehouses
- Industrial Plants



- **Voltage Input:**
Standard = 90-260 VAC 50/60 HZ
Optional = 24 VDC
- **Color Temperature:**
Standard = 5000-6000K
Other colors available up to 6500K
- **Power consumption:**
32W, 40W, 50W
- **Beam Angle: 130°**



Examples:					
P/N	Power	Luminous flux	Color	Lux / Distance	Scope
	(W)	(lm)	(K)	(H/ m)	L (m)
LED-8-A0601	32	1800	5000 - 6000	130/4	6
LED-8-A0601A	40	2200	5000 - 6000	180/4	6
LED-8-A0601B	50	2600	5000 - 6000	TBD	TBD

Class 1, IEC598, IP60, CE. Specifications and dimension subject to change. Please contact us for latest information.

Ledimation, Inc.

2035 Royal Lane, Suite 200
 Dallas, Texas 75229
 Phone 972.955.9990
 Fax 214.241.0916
www.ledimation.com

