

LED Lighting Solutions

The future of illumination



ledimation

LED-8-A0101-A

Energy Efficient Street and Area Lighting.

FEATURES

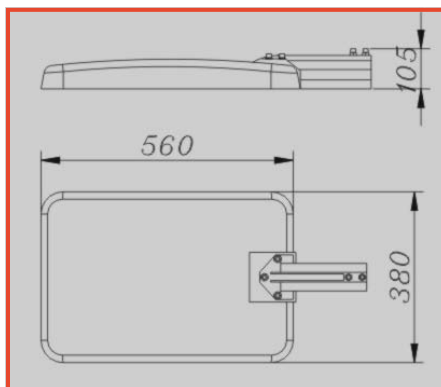
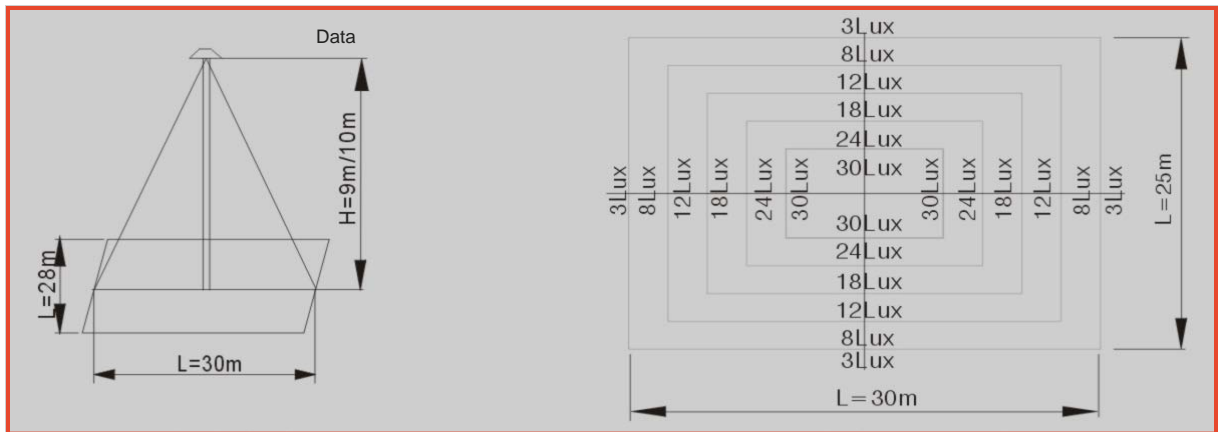
- Fixture of rugged aluminum alloy
- Electrostatic painting allowing variety of color
- Enhanced weather resistance
- Optimized and break resistant (5mm) glass
- Special silicon gasket allows a dust & insect free interior
- High efficient LEDs
- Environmentally friendly
- Long Lifespan

APPLICATIONS

- Streets
- Highways
- Bridges
- Parking Lots
- Biking/walking Trails
- Outbuildings
- Athletic Fields



- **Voltage Input:**
Standard = 90-260 VAC 50/60 HZ
Optional = 24 VDC
- **Color Temperature:**
Standard = 3000- 4000K
Other colors available up to 6500K
- **Power consumption:**
70W, 80W, 90W, 120W, 150W, 180W
- **Beam Angle:**
130°



Examples:					
P/N	Power	Luminous flux	Color	Lux / Distance	Scope
	(W)	(lm)	(K)	(H/ m)	L (m)
LED-8-A0101	70	4200	3000 - 4000	30/9	30
LED-8-A0101A	80	4800		30/10	30

Class 1, IEC598, IP65, CE. Specifications and dimension subject to change. Please contact us for latest information.



Ledimation, Inc.

2035 Royal Lane, Suite 200

Dallas, Texas 75229

Phone 972.955.9990

Fax 214.241.0916

www.ledimation.com