

LED Lighting Solutions

The future of illumination



LED-8-A0602

Energy Efficient Indoor Commercial Lighting.

FEATURES

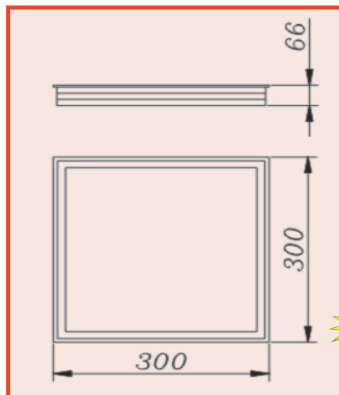
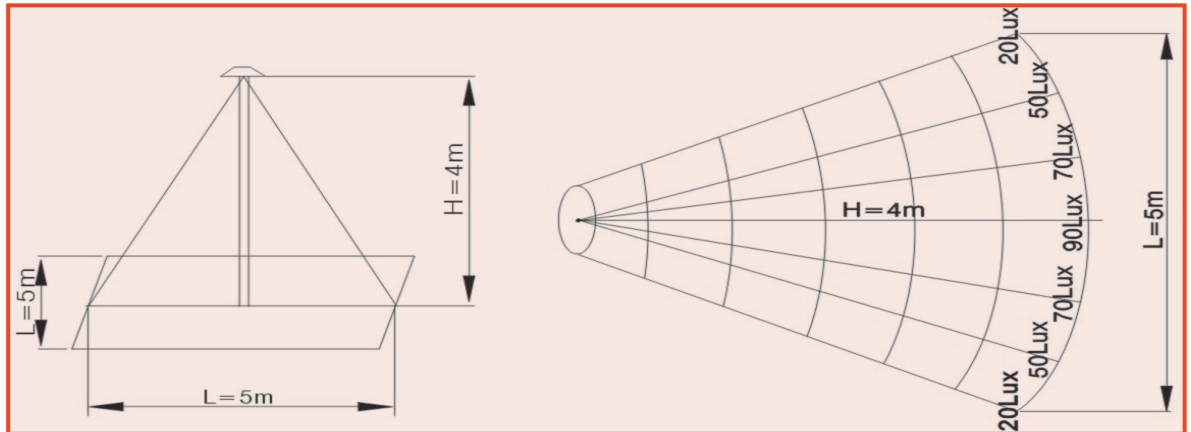
- Fixture of heavy duty steel
- Optimized and highly penetrating transparent covering
- Electrostatic painting for environment resistance and reduced aging.
- High efficient LED allows for maximum light output while reducing energy consumption.
- Environmentally friendly
- Long Lifespan

APPLICATIONS

- Office and Retail
- Exhibition Halls
- Warehouses
- Industrial Plants



- **Voltage Input:**
Standard = 90-260 VAC 50/60 HZ
Optional = 24 VDC
- **Color Temperature:**
Standard = 5000-6000K
Other colors available up to 6500K
- **Power consumption:**
22W, 30W
- **Beam Angle:**
130°



Examples:

P/N	Power (W)	Lumi- nous flux (lm)	Color (K)	Lux / Distance (H/ m)	Scope L (m)
LED-8-A0602	22	1200	5000 - 6000	90/4	5
LED-8-A0602A	30	1650	5000 - 6000	120/4	5
NEW LED-8-A0602B	36	1950	5000 - 6000	TBD	TBD

Class 1, IEC598, IP60, CE. Specifications and dimension subject to change . Please contact us for latest information.



Ledimation, Inc.

2035 Royal Lane, Suite 200
Dallas, Texas 75229
Phone 972.955.9990

www.ledimation.com