

# LED Lighting Solutions

The future of illumination



## LED-8-A0304

### Energy Efficient Lawn Spot Lighting.

#### FEATURES

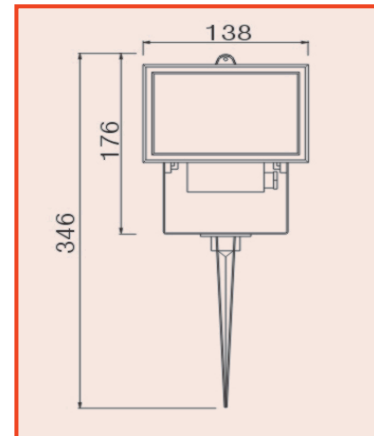
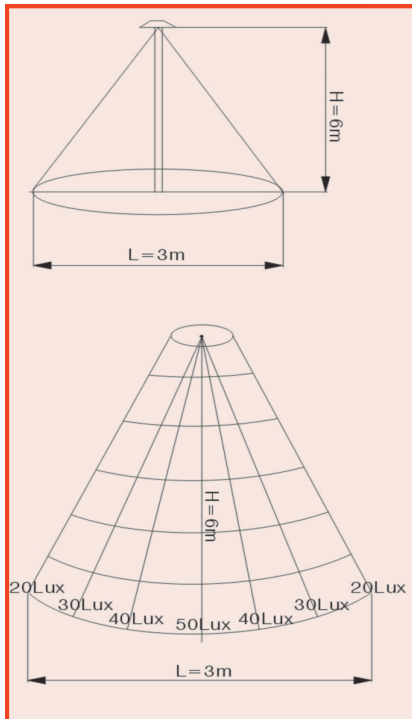
- Fixture of aluminum alloy and steel
- Optimized (6mm) glass cover for light diffusion and shock resistance
- Electrostatic painting to protect and reduce aging.
- High efficient LED allows for maximum light output while reducing energy consumption.
- Environmentally friendly.
- Long Lifespan

#### APPLICATIONS

- Gardens
- Parks
- Landscaping



- **Voltage Input:**  
Standard = 90-260 VAC 50/60 HZ  
Optional = 24 VDC
- **Color Temperature:**  
Standard = 5000-6000K  
Other colors available up to 6500K
- **Power consumption:**  
5W
- **Beam Angle:**  
40°



Examples:					
P/N	Power	Luminous flux	Color	Lux / Distance	Scope
	( W )	(lm)	( K )	(H/ m)	L (m)
LED-8-A0304	5	200	5000 - 6000	50/6	3

Class 1, IEC598, IP65, CE. Specifications and dimension subject to change . Please contact us for latest information.



Ledimation, Inc.

2035 Royal Lane, Suite 200

Dallas, Texas 75229

Phone 972.955.9990

Fax 214.241.0916

[www.ledimation.com](http://www.ledimation.com)