

LED Lighting Solutions

The future of illumination



LED-8-A0303

Energy Efficient Lawn Spot Lighting.

FEATURES

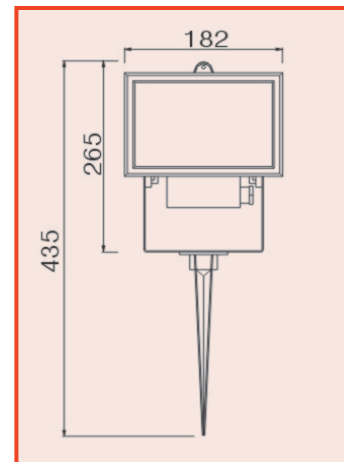
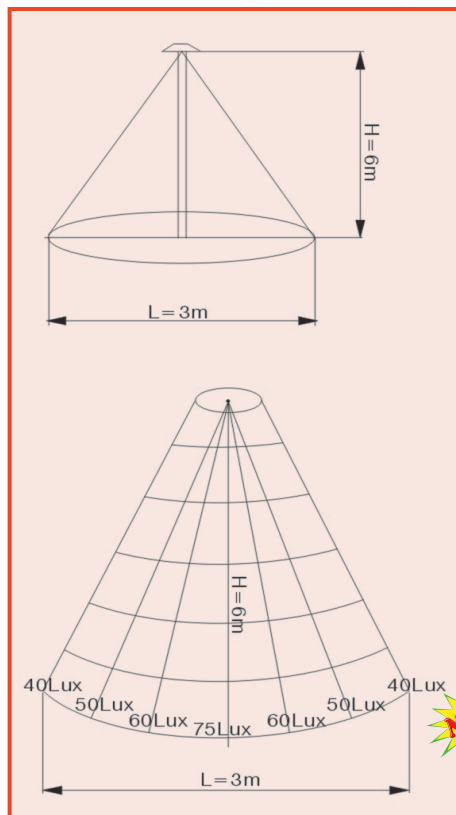
- Fixture is made of Aluminum and steel
- Optimized 6mm glass for light penetration and shock resistance
- Electrostatic painting enhances environment resistance and aging process
- High efficient LED
- Environmentally friendly
- Long Lifespan

APPLICATIONS

- Gardens
- Parks
- Landscaping



- **Voltage Input:**
Standard= 90-260 VAC 50/60 HZ
Optional= 24 VDC
- **Color Temperature:**
Standard= 5000-6000K
Other colors available up to 6500K
- **Power consumption:**
12 W
- **Beam Angle:**
40°



Examples:

| P/N | Power | Luminous flux | Color | Lux / Distance | Scope |
|--------------|-------|---------------|-------------|----------------|-------|
| | (W) | (lm) | (K) | (H/ m) | L (m) |
| LED-8-A0303 | 12 | 560 | 5000 - 6000 | 75/6 | 3 |
| LED-8-A0303A | 12 | 780 | 5000 - 6000 | TBD | TBD |

Class 1, IEC598 , IP65, CE. Specifications and dimension subject to change . Please contact us for latest information



Ledimation, Inc.

2035 Royal Lane, Suite 200

Dallas, Texas 75229

Phone 972.955.9990

Fax 214.241.0916

www.ledimation.com